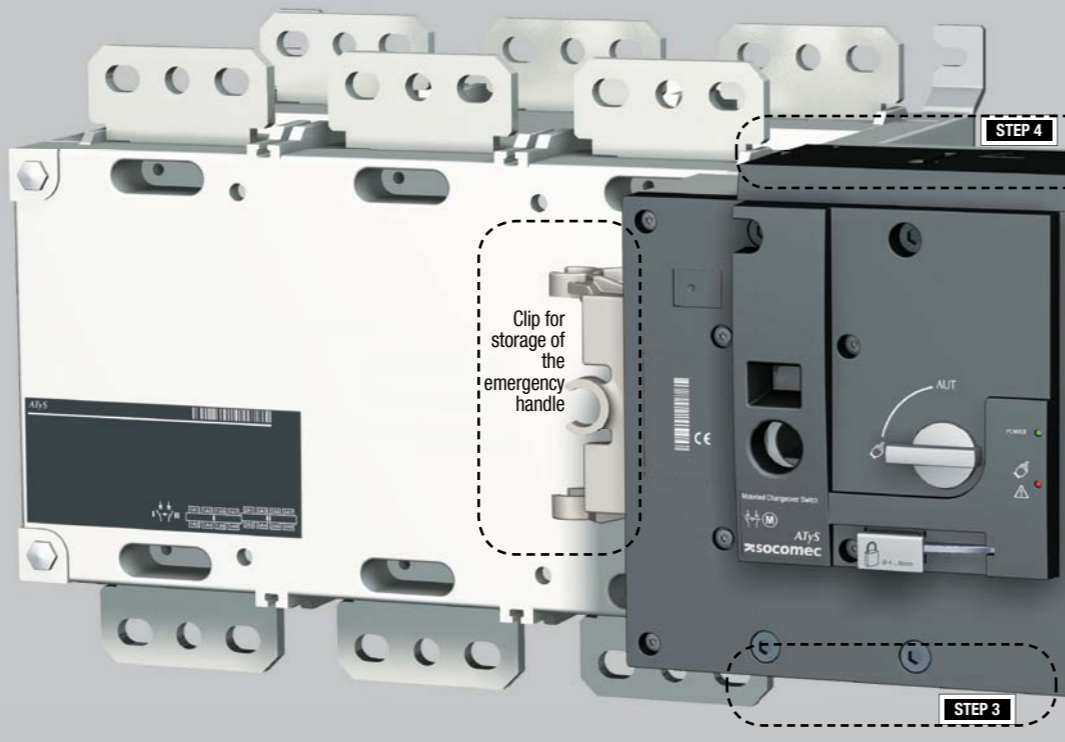
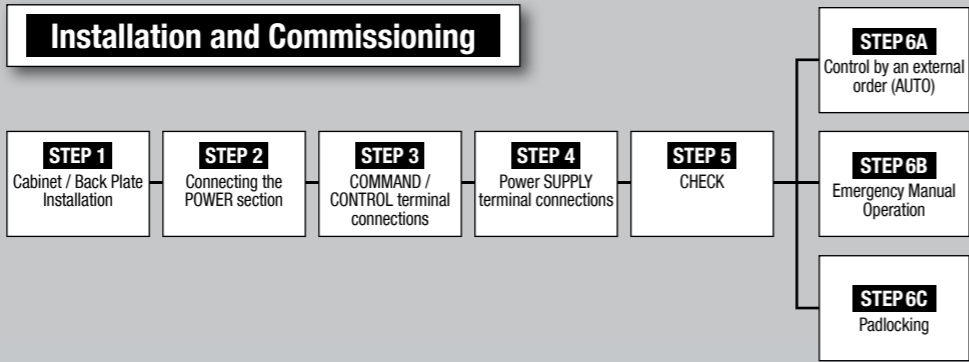
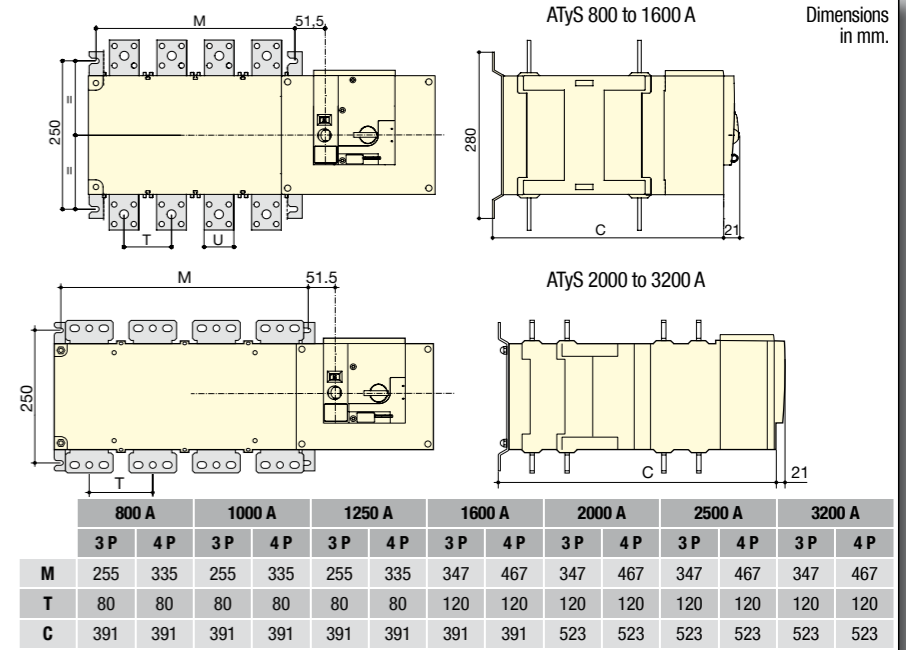
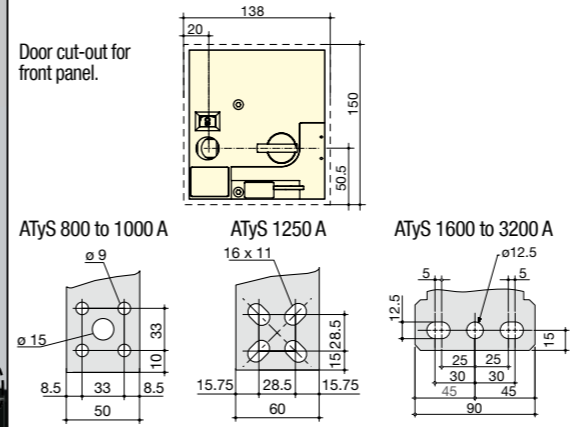
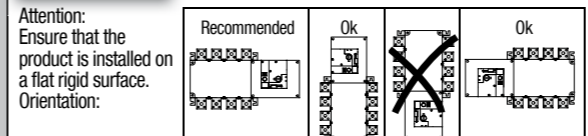


Installation and Commissioning



STEP 1 Installation



Preliminary operations

Check the following upon delivery and after removal of the packaging:

- Packaging and contents are in good condition.
- The product reference corresponds to the order.
- Contents should include:
Qty 1 x ATyS
Qty 1 x Emergency handle and fixing clip
Quick Start instruction sheet

Warning

⚠ Risk of electrocution, burns or injury to persons and / or damage to equipment.
This Quick Start is intended for personnel trained in the installation and commissioning of this product. For further details refer to the product instruction manual available on the SOCOMEC website.

- This product must always be installed and commissioned by qualified and approved personnel.
- Maintenance and servicing operations should be performed by trained and authorised personnel.
- Do not handle any control or power cables connected to the product when voltage may be, or may become present on the product, directly through the mains or indirectly through external circuits.
- Always use an appropriate voltage detection device to confirm the absence of voltage.
- Ensure that no metal objects are allowed to fall in the cabinet (risk of electrical arcing).

Failure to observe good engineering practises as well as to follow these safety instructions may expose the user and others to serious injury or death.

⚠ Risk of damaging the device

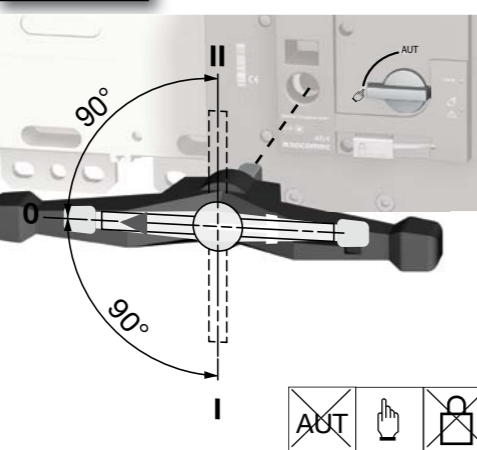
- In case the product is dropped or damaged in any way it is recommended to replace the complete product.

Accessories

- Bridging bars and connection kits.
- Control voltage transformer (400Vac -> 230Vac).
- DC power supply (12/24Vdc -> 230Vac).
- Mounting spacers to raise the product x 10mm.
- Phase barriers.
- Terminal shrouds.
- Terminal screens.
- Auxiliary contacts (Additional).
- Padlocking in 3 positions (I - 0 - II).
- Lockout accessories (RONIS - EL 11 AP).
- Door escutcheon frame.
- Control relay ATyS C30 + D10 or D20.
- Control relay ATyS C40.

For further details, please refer to the instruction manual in chapter - "Spare parts and accessories"

STEP 6B Manual Operation

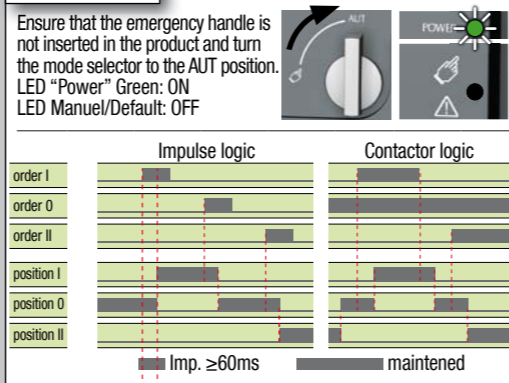


STEP 5 Check

Whilst in manual mode, check the wiring and then power up the product (only if check is ok).

LED "Power" Green: ON
LED Manual/Default Red (Product not Available): ON

STEP 6A Automatic Operation



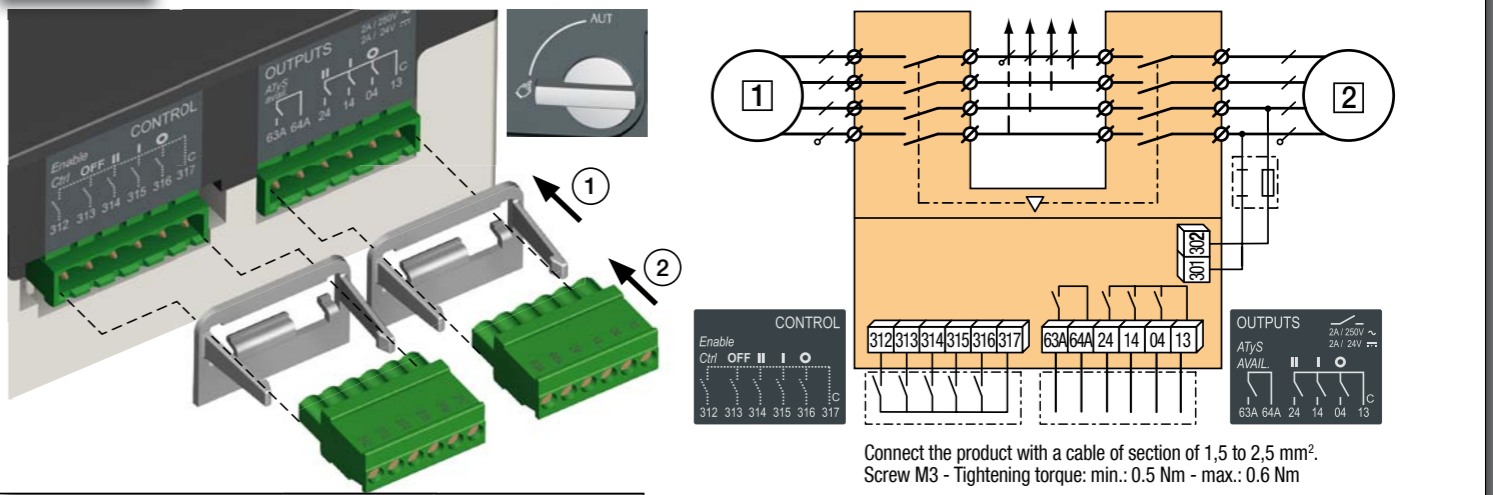
To enable control, close contact 312 with 317.
To force the product to 0 position/OFF bridge the contact 313 with 317.
For contactor logic bridge contact 316 with 317.
To operate: close the contact corresponding to the desired position.

STEP 2 Power Terminal Connections

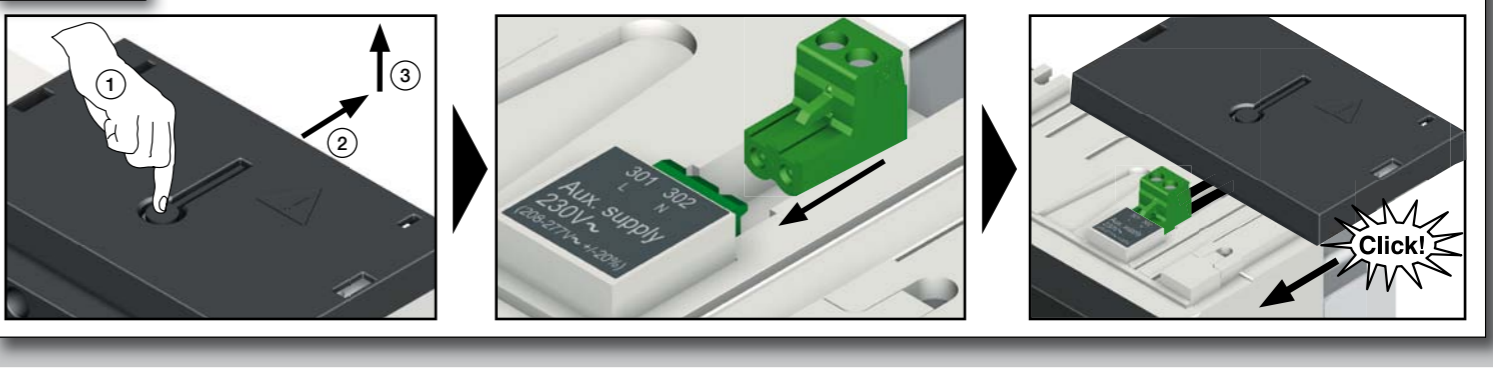
To be connected using terminal lugs, rigid or flexible busbars.

	FRAME B6		FRAME B7		FRAME B8		
	800 A	1000 A	1250 A	1600 A	2000 A	2500 A	3200 A
Minimum cable section Cu (mm²) at lth (IEC 60947-1)	2x185	-	-	-	-	-	-
Recommended cable section Cu (mm²) at lth	2x50x5	2x60x5	2x60x7	2x100x5	3x100x5	4x100x5	3x100x10
Maximum cable section Cu (mm²)	2x300	4x185	4x185	6x185	-	-	-
Maximum Cu busbar width (mm)	63	63	63	100	100	100	100
Type of screw	M8	M8	M10	M12	M12	M12	M12
Recommended tightening torque (N.m)	8.3	8.3	20	40	40	40	40
Maximum tightening torque (N.m)	13	13	26	45	45	45	45

STEP 3 CONTROL / COMMAND Terminals - Ensure that the product is in Manual Mode.



STEP 4 Power Supply Terminal - Remove the Top cover to access and connect the terminal - Replace the cover before putting in service.



STEP 6C Padlocking Mode (as standard: in position 0)

3x Ø4-8 mm

www.socomec.com
To download: brochures, catalogues and technical manuals:
<http://www.socomec.com/en/documentation-atys-r>

Printing informations: 1 color Black. White paper 90g/m².
Printing size: 420x297. Final size 210x297. This page visible first.

CORPORATE HQ CONTACT:
SOCOMECSAS, 1-4 RUE DE WESTHOUSE, 67235 BENFELD, FRANCE

541 991 F - 10/16 - EN